

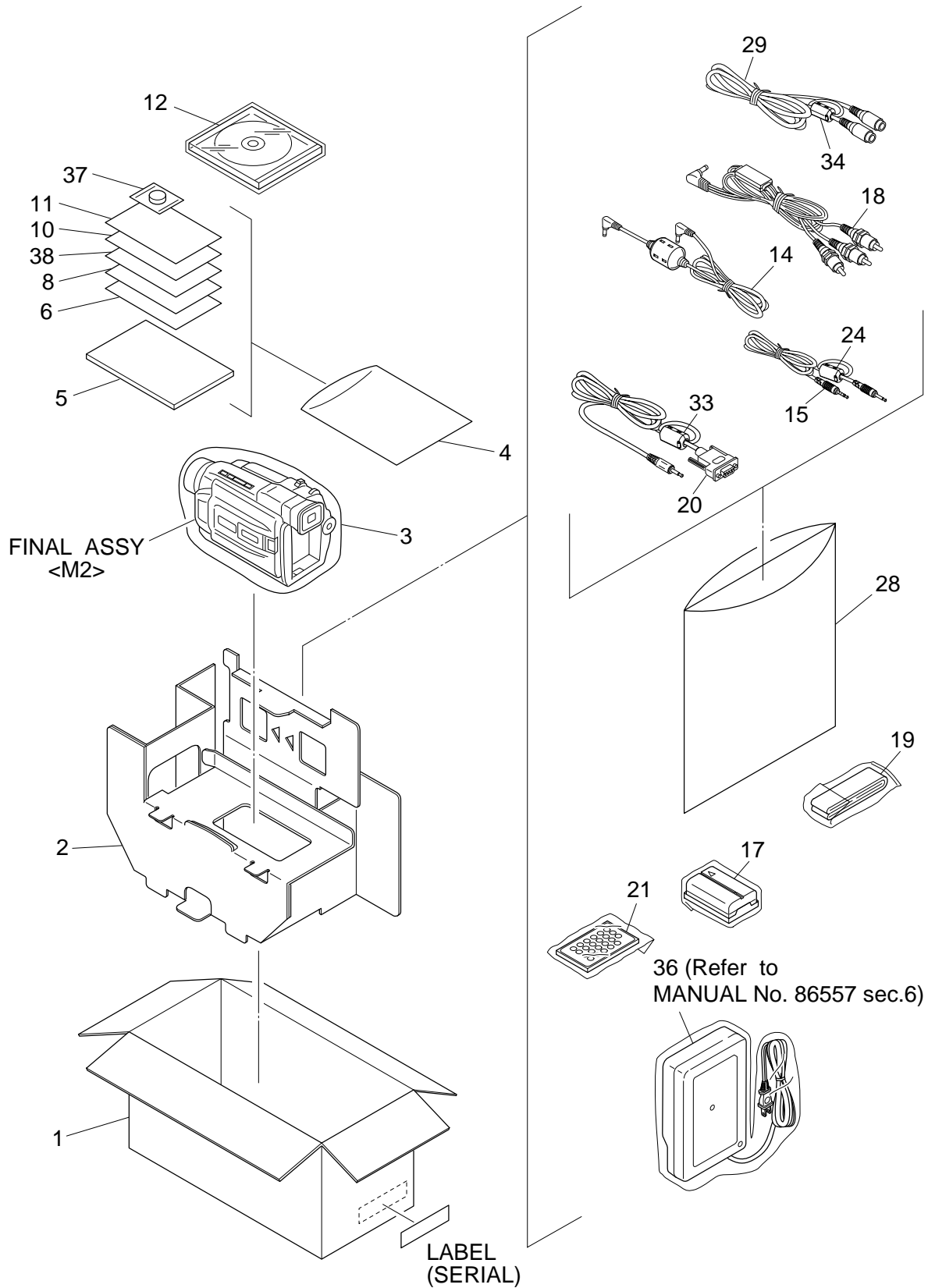
SECTION 5 PARTS LIST

SAFETY PRECAUTION

Parts identified by the \triangle symbol are critical for safety. Replace only with specified part numbers.

5.1 PACKING AND ACCESSORY ASSEMBLY <M1>

The instruction manual to be provided with this product will differ according to the destination.



△ REF No. PART No. PART NAME, DESCRIPTION

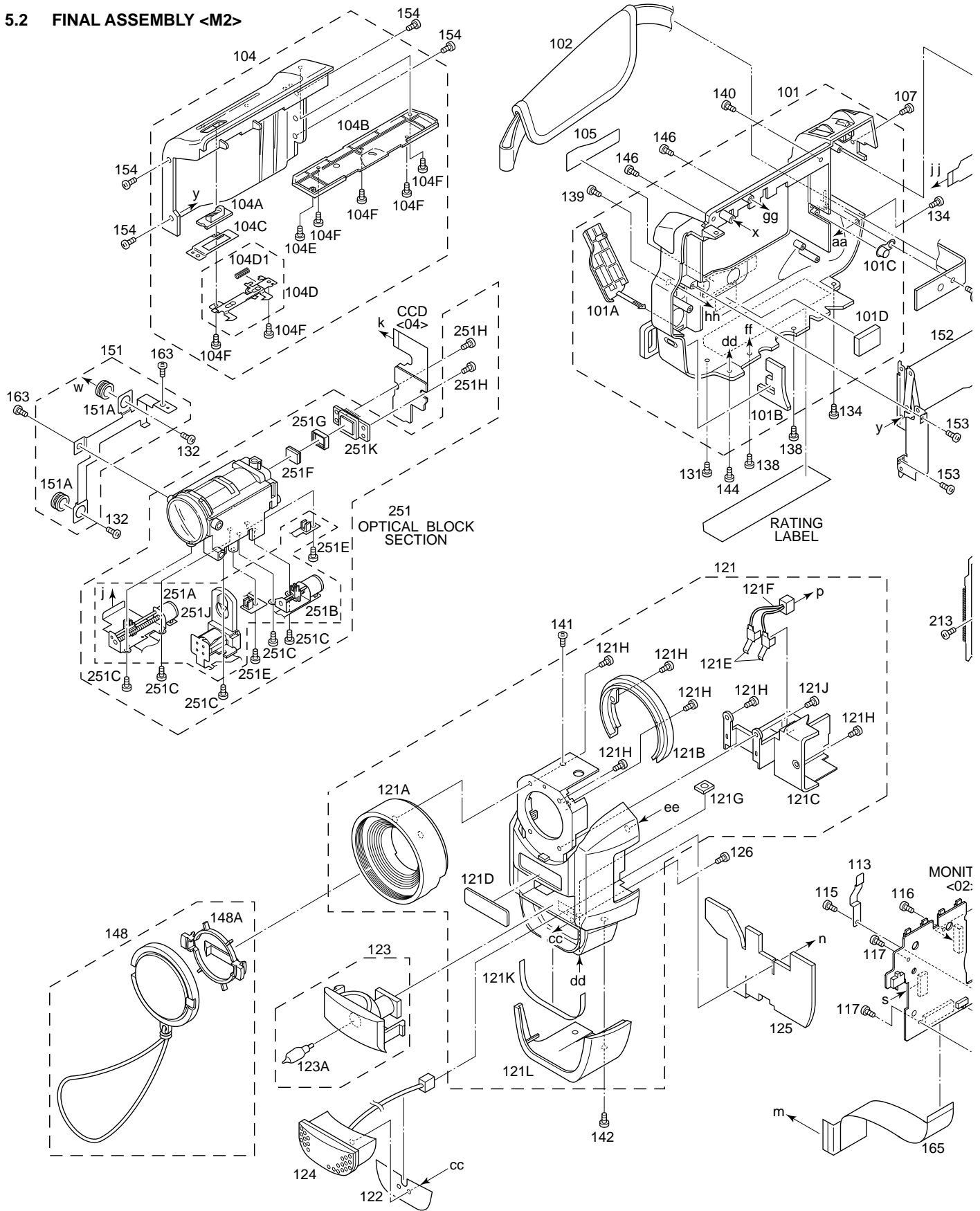
PACKING AND ACCESSORY ASSEMBLY <M1>

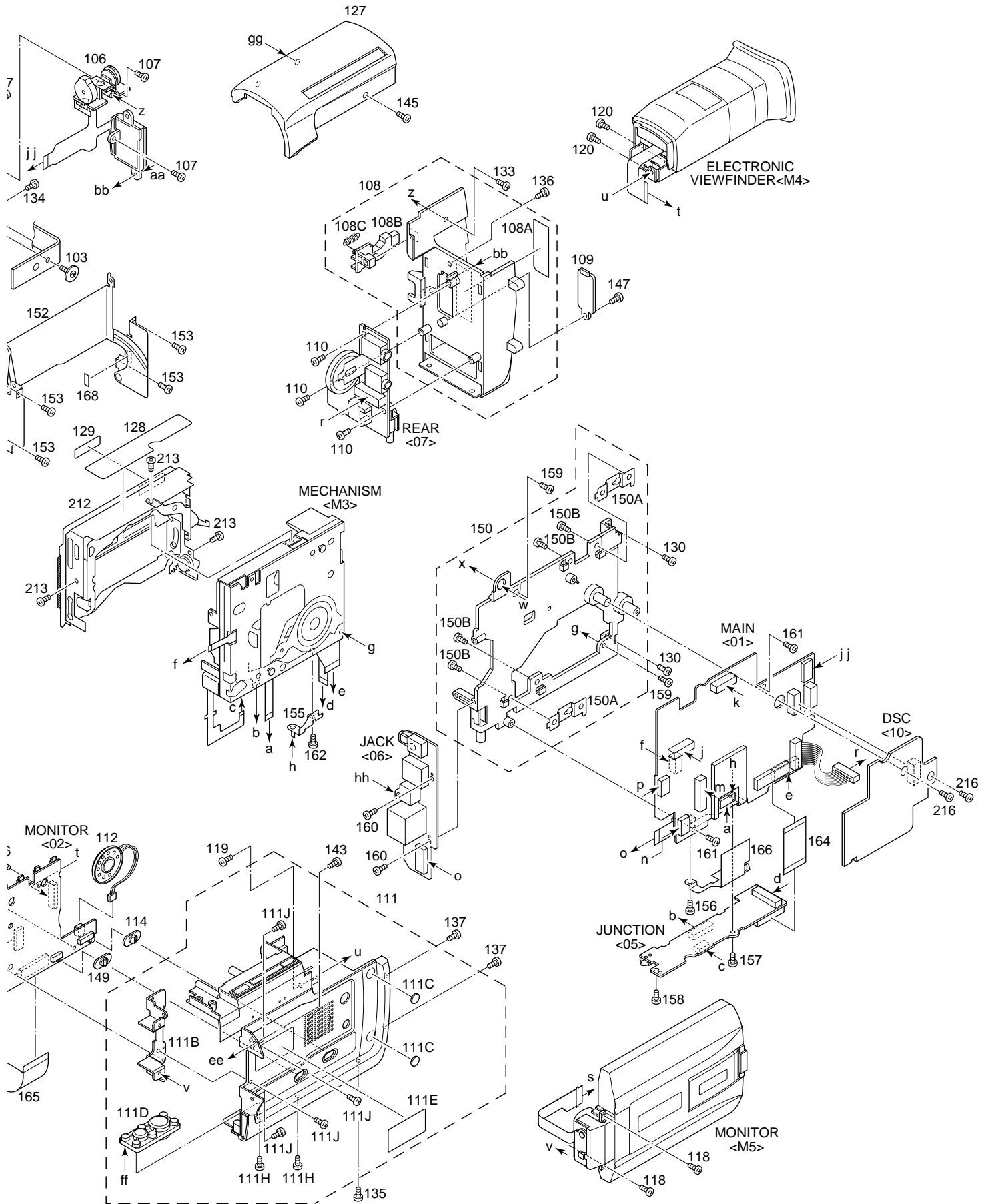
- 1 LY31631-014A PACKING CASE,A
- LY31631-016A PACKING CASE,B
- LY31631-017A PACKING CASE,C
- 2 LY31632-001A CUSHION
- 3 LY30023-008A POLY BAG
- 4 QPA02003006 POLY BAG
- △ 5 LYT0595-001B IB(EN),A,B
- △ LYT0595-002B IB(CH),A,B
- △ LYT0596-001A IB(EN),C
- △ LYT0596-002B IB(CH),C
- △ 6 LYT0598-001A IB(SOFT.SETUP),A,B
- △ LYT0599-001A IB(SOFT.SETUP),C
- 8 LYT0378-003A SHEET(AGREEMENT)
- 10 BT-59007-2 WARRANTY CARD
- 11 LYT0162-021B ACC.LEAFLET
- 12 LY31133-011A CD ROM,C
- LY31133-009A CD ROM,A,B
- 14 QAM0170-001 DC CORD
- 15 QAM0214-001 RM CABLE,EDITING CABLE
- △ 17 LY31587-001A BATTERY PACK,BN-V408U,A,B
- △ LY31730-001A BATTERY PACK,BN-V416U,C
- 18 QAM0212-001 CABLE ASSY,AUDIO/VIDEO CABLE
- 19 LY20186-001A SHOULDER STRAP
- 20 QAM0084-001 PC CONNECTION CABLE
- 21 YQ20922Q REMOTE CONTROL UNIT,RM-V711U
- 24 QQR0491-002 CORE FILTER
- 28 QPGA017-03005 POLY BAG
- 29 QAM0004-003 S CABLE,S-VIDEO CABLE
- 33 QQR0491-002 CORE FILTER
- 34 QQR0491-002 CORE FILTER
- △ 36 LY20591-005B AC POWER ADAPTER CHARGER,AA-V40ED
- 37 PECA0903 LI BATTERY,CR2025
- 38 BT-59012-1 SERVICE NETWORK

MODEL	MARK
GR-DVL300ED	A
GR-DVL500ED	B
GR-DVL800ED	C

- **INSTRUCTIONS**
- EN ENGLISH
- CH CHINESE

5.2 FINAL ASSEMBLY <M2>





△ REF No. PART No. PART NAME, DESCRIPTION

FINAL ASSEMBLY <M2>

△ 101	LY20560-004B	LOWER CASE ASSY
101A	LY31607-001A	JACK COVER
101B	LY42391-001A	SHEET(MIC)2
101C	LY40592-001A	CAP(GRIP BELT)
101D	LY30029-052A	SPACER(A)
102	LY20575-001B	GRIP BELT
103	LY30018-003A	SPECIAL SCREW
104	LY31609-003C	CASS.COVER ASSY
104A	LY31610-001A	KNOB(EJECT)
104B	LY31611-001A	COVER(C.C)
104C	LY42173-001B	BKT(E.KNOB)
104D	LY42174-001A	LOCK ASSY
104D1	LY30002-038A	COMPRES. SPRING
104E	LY30018-084A	SPECIAL SCREW
104F	LY30018-023A	SPECIAL SCREW,X6
105	LY42177-001B	SHEET(M.ADJ)
106	LY20542-001A	ZOOM UNIT
107	LY30018-084A	SPECIAL SCREW,X3
108	LY31596-003B	REAR COVER ASSY
108A	LY42161-001A	SHEET(REAR)
108B	LY31595-001A	KNOB(RELEASE)
108C	LY30001-018A	TENSION SPRING
109	LY41691-001A	COVER(JIG)
110	LY30018-084A	SPECIAL SCREW,X3
111	LY20550-006C	UPPER CASE(3)ASSY,C
	LY20550-007C	UPPER CASE(3)ASSY,B
	LY20557-003E	UPPER CASE(2.5)ASSY,A
111B	LY31623-001A	BRACKET
111C	LY40664-001A	SPACER,X2 A
	LY40664-002A	SPACER,X2 B,C
111D	LY31019-001A	BASE
111E	LY42244-001A	SHEET(MARK)
111H	LY30018-084A	SPECIAL SCREW,X2
111J	LY30018-0A8A	SPECIAL SCREW,X4
112	QAS0048-001	SPEAKER
113	LY42167-001A	PLATE(SPK)
114	LY42168-001A	KNOB(SLIDE)
115	LY30018-023A	SPECIAL SCREW
116	LY30018-0A5A	SPECIAL SCREW
117	LY30018-0A8A	SPECIAL SCREW,X2
118	LY30018-090A	SPECIAL SCREW,X2
119	LY30018-038A	SPECIAL SCREW
120	LY30018-084A	SPECIAL SCREW,X2
121	LY20563-001B	FRONT COVER ASSY
121A	LY31615-001B	HOOD
121B	LY31616-001A	RING
121C	LY20572-001A	HOLDER(L.CONT.)
121D	LY40987-003B	MARK
121E	YQ43810-1-1	CONTACT(LIGHT),X2
121F	WJM0003-006A	E-SI C WIRE C-F
121G	YQ44434	BRACKET
121H	LY30018-0A7A	SPECIAL SCREW,X6
121J	LY30018-079A	SPECIAL SCREW
121K	LY30029-042A	SPACER(A)
121L	LY31614-001A	COVER(BOTTOM)
122	LY42184-001A	PLATE(MIC)
123	LY31617-001A	DC LIGHT ASSY
123A	YQ44266	LAMP
124	LY30861-012A	MICROPHONE
125	LY42390-001A	SHEET(MIC)1

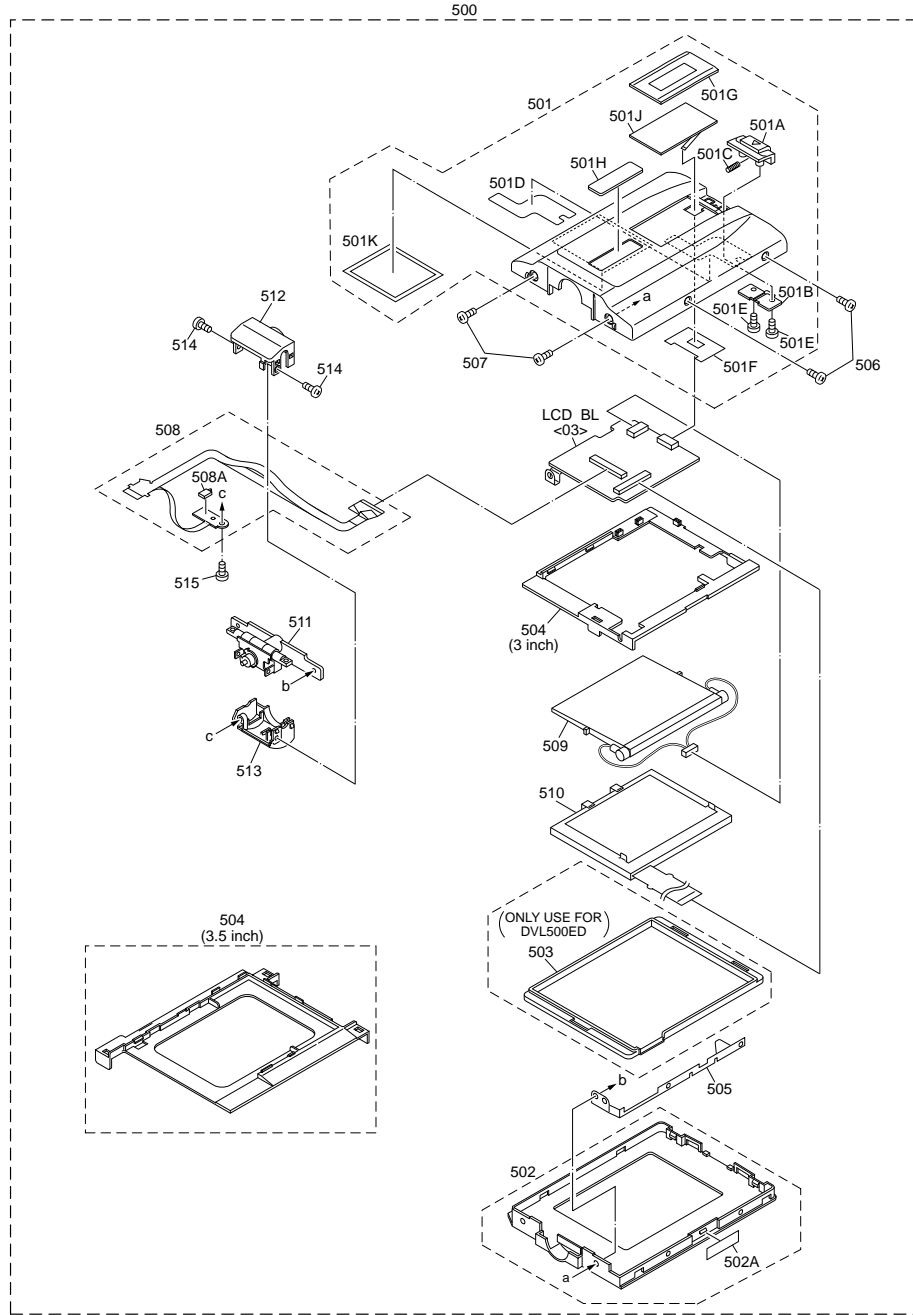
△ REF No. PART No. PART NAME, DESCRIPTION

126	QYSLSF2055D	SPECIAL SCREW
127	LY20552-001A	TOP COVER(3),B
	LY20552-007A	TOP COVER(3),C
	LY20559-002A	TOP COVER(2.5),A
128	LY40698-002A	LABEL(HOUSING)
129	LY40699-002A	LABEL(PUSH)
130	LY30018-079A	SPECIAL SCREW,X2
131	LY30018-079A	SPECIAL SCREW
132	LY30018-050A	SPECIAL SCREW,X2
133	LY30018-079A	SPECIAL SCREW
134	LY30018-079A	SPECIAL SCREW,X2
135	LY30018-079A	SPECIAL SCREW
136	LY30018-084A	SPECIAL SCREW
137	LY30018-023A	SPECIAL SCREW,X2
138	LY30018-084A	SPECIAL SCREW,X2
139	QYSPSPT1725R	SPECIAL SCREW
140	LY30018-066A	SPECIAL SCREW
141	LY30018-084A	SPECIAL SCREW
142	LY30018-079A	SPECIAL SCREW
143	QYSPSGT1760R	SCREW
144	LY30018-044A	SPECIAL SCREW
145	LY30018-059A	SPECIAL SCREW
146	LY30018-052A	SPECIAL SCREW,X2
147	LY30018-037A	SPECIAL SCREW
148	LY42182-002A	CAP(HOOD)ASSY
148A	LY31627-001A	SPRING
149	LY42168-002A	KNOB(SLIDE),C
150	LY31618-001C	HOLDER(MECHA)ASSY
150A	LY42178-001A	BKT(MECHA),X2
150B	LY30018-0B4A	SPECIAL SCREW,X4
151	LY42179-001A	BKT(OP)ASSY
151A	LY41675-001A	RUBBER,X2
152	LY31612-001A	ARM ASSY
153	LY30018-084A	SPECIAL SCREW,X4
154	LY30018-066A	SPECIAL SCREW,X4
155	LY40709-001C	BRACKET(GRD)
156	YQ43893-3	MINI SCREW
157	YQ43893-3	MINI SCREW
158	LY30018-023A	SPECIAL SCREW
159	LY30019-021A	SPECIAL SCREW,X2
160	LY30018-023A	SPECIAL SCREW,X2
161	LY30018-023A	SPECIAL SCREW,X2
162	YQ43893-4	MINI SCREW
163	LY30018-024A	SPECIAL SCREW,X2
164	WJT0028-001A	FFC WIRE,MAIN CN113-JUNC CN571
165	WJT0029-001A	FFC WIRE,MAIN CN101-MONI CN7601
166	LY31657-001A	SHIELD CASE(2)
168	LY42583-001A	SHEET
212	LY30483-001Q	CASSETTE HOUSING ASSY
213	YQ43893-4	MINI SCREW,X3
216	LY30018-050A	SPECIAL SCREW,X2 C

- OPTICAL BLOCK SECTION -

251	YS20973G	OPTICAL BLOCK ASSY
251A	LY30723-001B	ZOOM MOTOR
251B	LY30724-001B	FOCUS MOTOR
251C	LY30727-002A	SCREW,X5
251E	LY30727-001A	SCREW,X2
251F	LY41718-001A	OPTICAL LPF
251G	LY31639-001A	SPACER RUBBER
251H	QYSPSGU1750Z	SCREW,X2
251J	LY31726-001A	IRIS MOTOR
251K	YS40168F	CCD BASE ASSY

5.3 MONITOR ASSEMBLY <M5> [GR-DVL500ED/800ED]



#	△ REF No.	PART No.	PART NAME, DESCRIPTION	#	△ REF No.	PART No.	PART NAME, DESCRIPTION

MONITOR ASSEMBLY <M5>							
△	500	LYH20135-011A	MONITOR ASSY,C				
△	501	LYH20135-015A	MONITOR ASSY,B				
△	501	LY20565-009B	MONITOR COVER ASSY,B				
		LY20565-011B	MONITOR COVER ASSY,C				
		501A	LY31620-001A	502A		LY42388-001A	EARTH MON(2)
		501B	LY42180-001A	503		LY20566-001B	HOLDER(3LCD),B
		501C	LY30002-044A	504		LY20567-001A	HOLDER(3PWB),B
		501D	LY42386-001A			LY20568-001A	HOLDER(3.5PWB),C
		501E	LY30018-011A	505		LY31622-001A	BRACKET(EARTH)
		501F	LY42368-001A	506		QYSPSPT1730R	SCREW,X2
		501G	LY31621-001A	507		QYSLSP2040D	SCREW,X2
			LY31621-003A	508		LY31743-001A	MONI.FPC ASSY
		501H	LY42162-001A	508A		NSW0095-001X	DETECT SWITCH
		501J	LY42193-001A	509		QLL0080-001	BACK LIGHT,B
		501K	LY40559-001A			QLL0081-001	BACK LIGHT,C
		502	LY20598-001A	510		QLD0096-002	LCD MODULE,C
			LY20598-002A			QLD0118-001	LCD MODULE,B
				511		LY31236-003A	HINGE ASSY
				512		LY31624-001A	HINGE COVER(1)
				513		LY31625-001A	HINGE COVER(2)
				514		LY30018-058A	SPECIAL SCREW,X2
				515		LY30018-023A	SPECIAL SCREW

5.4 ELECTRICAL PARTS LIST

MODEL	MARK
GR-DVL300ED	A
GR-DVL500ED	B
GR-DVL800ED	C

#	△ REF No.	PART No.	PART NAME, DESCRIPTION

MONITOR BOARD ASSEMBLY <02>			
PW1		YB10280R1-01	MONITOR BOARD ASSY,C
		YB10280H1-02	MONITOR BOARD ASSY,A
		YB10280K1-01	MONITOR BOARD ASSY,B
IC7101		XCVVQ110CFB	IC,A
IC7601		AN2533FH	IC
IC7603		AT25040N-10SC-X	IC
IC7604		BU4053BCFV	IC,B,C
IC7605		TC4W53FU	IC,B,C
IC7606		TC7S04FU	IC,B,C
IC7607		TC7S08FU	IC(DIGITAL),B,C
Q7602		DTC144EE	TRANSISTOR,B,C
Q7603		DTA144EE	TRANSISTOR,B,C
Q7604		DTA114YE	TRANSISTOR,B,C
Q7605		DTA114YE	TRANSISTOR,B,C
Q7606		DTA114YE	TRANSISTOR,B,C
Q7607		2SC4617/QR/-X	TRANSISTOR
Q7608		2SA1774/QR/-X	TRANSISTOR
Q7609		2SC4617/QR/-X	TRANSISTOR
Q7610		2SA1774/QR/-X	TRANSISTOR
Q7615		DTA144EE	TRANSISTOR
Q7616		DTC144EE	TRANSISTOR,B,C
Q7617		DTA114EE	TRANSISTOR,B,C
Q7618		DTC144EE	TRANSISTOR,B,C
Q7619		UMZ1N	PAIR TRANSISTOR,B,C
D7101		MA111	DIODE,A
D7601		RB471E	SB DIODE
D7603		MA111	DIODE,B,C
R2		NRSA63J-103X	MG RESISTOR 10kΩ,1/16W
R4		NRSA63J-152X	MG RESISTOR 1.5kΩ,1/16W
R5		NRSA63J-182X	MG RESISTOR 1.8kΩ,1/16W
R6		NRSA63J-272X	MG RESISTOR 2.7kΩ,1/16W
R7		NRSA63J-392X	MG RESISTOR,C 3.9kΩ,1/16W
R7103		NRSA02J-0R0X	MG RESISTOR,A 0Ω,1/10W
R7104		NRSA63J-0R0X	MG RESISTOR,A 0Ω,1/16W
R7107		NRSA63J-271X	MG RESISTOR,A 270Ω,1/16W
R7108		NRSA63J-182X	MG RESISTOR,A 1.8kΩ,1/16W
R7109		NRVA63D-393X	CMF RESISTOR,A 39kΩ,1/16W
R7110		NRVA63D-183X	CMF RESISTOR,A 18kΩ,1/16W
R7111		NRSA63J-0R0X	MG RESISTOR,A 0Ω,1/16W
R7114		NRSA63J-153X	MG RESISTOR,A 15kΩ,1/16W
R7115		NRSA63J-153X	MG RESISTOR,A 15kΩ,1/16W
R7118		NRSA63J-153X	MG RESISTOR,A 15kΩ,1/16W
R7119		NRSA63J-333X	MG RESISTOR,A 33kΩ,1/16W
R7604		NRSA63J-563X	MG RESISTOR 56kΩ,1/16W
R7610		NRSA63J-563X	MG RESISTOR 56kΩ,1/16W
R7611		NRSA63J-153X	MG RESISTOR 15kΩ,1/16W
R7612		NRSA63J-103X	MG RESISTOR 10kΩ,1/16W
R7613		NRSA63J-104X	MG RESISTOR 100kΩ,1/16W
R7616		NRSA63J-101X	MG RESISTOR 100Ω,1/16W
R7631		NRSA63J-103X	MG RESISTOR 10kΩ,1/16W
R7632		NRSA63J-101X	MG RESISTOR,A 100Ω,1/16W
R7633		NRSA63J-101X	MG RESISTOR,A 100Ω,1/16W
R7634		NRSA63J-101X	MG RESISTOR,A 100Ω,1/16W
R7635		NRSA63J-220X	MG RESISTOR,B,C 22Ω,1/16W
R7636		NRSA63J-220X	MG RESISTOR,B,C 22Ω,1/16W
R7637		NRVA63D-123X	CMF RESISTOR,B,C 12kΩ,1/16W
R7638		NRVA63D-123X	CMF RESISTOR,B,C 12kΩ,1/16W
R7639		NRVA63D-123X	CMF RESISTOR,B,C 12kΩ,1/16W

#	△ REF No.	PART No.	PART NAME, DESCRIPTION
R7640		NRVA63D-123X	CMF RESISTOR,B,C 12kΩ,1/16W
R7641		NRVA63D-123X	CMF RESISTOR,B,C 12kΩ,1/16W
R7642		NRVA63D-123X	CMF RESISTOR,B,C 12kΩ,1/16W
R7643		NRSA63J-220X	MG RESISTOR,B,C 22Ω,1/16W
R7645		NRSA63J-473X	MG RESISTOR,B,C 47kΩ,1/16W
R7646		NRSA63J-103X	MG RESISTOR,B,C 10kΩ,1/16W
R7649		NRVA63D-222X	CMF RESISTOR 2.2kΩ,1/16W
R7650		NRVA63D-222X	CMF RESISTOR 2.2kΩ,1/16W
R7651		NRVA63D-222X	CMF RESISTOR 2.2kΩ,1/16W
R7652		NRVA63D-222X	CMF RESISTOR 2.2kΩ,1/16W
R7653		NRVA63D-222X	CMF RESISTOR 2.2kΩ,1/16W
R7654		NRVA63D-222X	CMF RESISTOR 2.2kΩ,1/16W
R7657		NRSA63J-154X	MG RESISTOR 150kΩ,1/16W
R7659		NRSA63J-335X	MG RESISTOR 3.3MΩ,1/16W
R7660		NRSA63J-223X	MG RESISTOR 22kΩ,1/16W
R7661		NRSA02J-222X	MG RESISTOR 2.2kΩ,1/10W
R7663		NRSA63J-101X	MG RESISTOR 100Ω,1/16W
R7664		NRSA63J-223X	MG RESISTOR,A 22kΩ,1/16W
		NRSA63J-682X	MG RESISTOR,B,C 6.8kΩ,1/16W
R7665		NRSA63J-223X	MG RESISTOR 22kΩ,1/16W
R7666		NRSA63J-223X	MG RESISTOR 22kΩ,1/16W
R7667		NRSA63J-333X	MG RESISTOR 33kΩ,1/16W
R7668		NRSA02J-392X	MG RESISTOR 3.9kΩ,1/10W
R7670		NRSA02J-122X	MG RESISTOR 1.2kΩ,1/10W
R7672		NRSA63J-0R0X	MG RESISTOR,A 0Ω,1/16W
R7673		NRSA63J-223X	MG RESISTOR,B,C 22kΩ,1/16W
R7674		NRSA63J-333X	MG RESISTOR,B,C 33kΩ,1/16W
R7675		NRSA63J-103X	MG RESISTOR,A 10kΩ,1/16W
R7677		NRSA63J-223X	MG RESISTOR,B,C 22kΩ,1/16W
R7678		NRSA63J-223X	MG RESISTOR,B,C 22kΩ,1/16W
R7679		NRSA63J-822X	MG RESISTOR,B,C 8.2kΩ,1/16W
R7681		NRSA63J-0R0X	MG RESISTOR,A 0Ω,1/16W
		NRSA63J-331X	MG RESISTOR,B,C 330Ω,1/16W
R7685		NRSA63J-392X	MG RESISTOR,B,C 3.9kΩ,1/16W
R7687		NRSA63J-183X	MG RESISTOR,B,C 18kΩ,1/16W
R7688		NRSA63J-334X	MG RESISTOR,B,C 330kΩ,1/16W
R7689		NRSA63J-224X	MG RESISTOR,B,C 220kΩ,1/16W
R7690		NRSA63J-393X	MG RESISTOR,B,C 39kΩ,1/16W
VR7102		NVP0016-223X	TRIM RESISTOR,BLACK LEVEL,A
VR7103		NVP0016-223X	TRIM RESISTOR,GAMMA,A
C1		NCB31EK-103X	CAPACITOR 0.01μF,25V
C7102		NDC31HJ-181X	CAPACITOR,A 180pF,50V
C7103		NCF31CZ-104X	CAPACITOR,A 0.1μF,16V
C7104		NCF31CZ-104X	CAPACITOR,A 0.1μF,16V
C7105		NBE20JM-475X	T CAPACITOR,A 4.7μF,6.3V
C7106		NCB21HK-122X	CAPACITOR,A 0.0012μF,50V
C7107		NCB31EK-103X	CAPACITOR,A 0.01μF,25V
C7108		NCF21CZ-105X	CAPACITOR,A 1μF,16V
C7109		NCF31CZ-104X	CAPACITOR,A 0.1μF,16V
C7110		NCF31CZ-104X	CAPACITOR,A 0.1μF,16V
C7111		NCF31CZ-104X	CAPACITOR,A 0.1μF,16V
C7112		NCF31CZ-104X	CAPACITOR,A 0.1μF,16V
C7113		NCB31HK-102X	CAPACITOR,A 0.001μF,50V
C7114		NCB31EK-103X	CAPACITOR,A 0.01μF,25V
C7115		NCB31CK-104X	CAPACITOR,A 0.1μF,16V
C7116		NCB31EK-103X	CAPACITOR,A 0.01μF,25V
C7117		NCB31EK-103X	CAPACITOR,A 0.01μF,25V
C7118		NBP41CM-106X	T CAPACITOR 10μF,16V
C7119		NCF31CZ-104X	CAPACITOR,A 0.1μF,16V
C7120		NBE20JM-106X	T CAPACITOR,A 10μF,6.3V
C7121		NCF31CZ-104X	CAPACITOR,A 0.1μF,16V
C7122		NCF31CZ-104X	CAPACITOR,A 0.1μF,16V

#	△ REF No.	PART No.	PART NAME, DESCRIPTION	
C7123		NBE20JM-106X	T CAPACITOR,A	10μF,6.3V
C7601		NCB31CK-104X	CAPACITOR	0.1μF,16V
C7602		NBE40JM-476X	T CAPACITOR	47μF,6.3V
C7603		NBE20JM-106X	T CAPACITOR	10μF,6.3V
C7604		NCB31CK-104X	CAPACITOR	0.1μF,16V
C7605		NCB31CK-104X	CAPACITOR	0.1μF,16V
C7606		NBE21AM-106X	T CAPACITOR	10μF,10V
C7607		NCF31CZ-104X	CAPACITOR	0.1μF,16V
C7608		NBE21AM-106X	T CAPACITOR	10μF,10V
C7609		NBE21AM-106X	T CAPACITOR	10μF,10V
C7610		NBP41CM-226X	T CAPACITOR	22μF,16V
C7614		NCF31CZ-104X	CAPACITOR	0.1μF,16V
C7615		NBE20JM-106X	T CAPACITOR	10μF,6.3V
C7618		NCB31HK-822X	CAPACITOR	0.0082μF,50V
C7619		NBE20JM-225X	T CAPACITOR	2.2μF,6.3V
C7620		NBE20JM-106X	T CAPACITOR	10μF,6.3V
C7621		NDC31HJ-151X	CAPACITOR	150pF,50V
C7623		NDC31HJ-471X	CAPACITOR	470pF,50V
C7625		NCB21AK-105X	CAPACITOR	1μF,10V
C7627		NCB31CK-104X	CAPACITOR	0.1μF,16V
C7628		NCB11CK-225X	CAPACITOR	2.2μF,16V
C7629		NBE20JM-106X	T CAPACITOR	10μF,6.3V
C7630		NCB31CK-104X	CAPACITOR	0.1μF,16V
C7631		NCF31AZ-105X	CAPACITOR	1μF,10V
C7632		NCF31AZ-105X	CAPACITOR	1μF,10V
C7636		NCB31HK-102X	CAPACITOR	0.001μF,50V
C7637		NCB31HK-102X	CAPACITOR	0.001μF,50V
C7638		NCF31CZ-104X	CAPACITOR	0.1μF,16V
C7639		NCF31CZ-104X	CAPACITOR,B,C	0.1μF,16V
C7640		NBE21AM-106X	T CAPACITOR	10μF,10V
C7641		NBE21AM-106X	T CAPACITOR	10μF,10V
C7642		NBE21AM-106X	T CAPACITOR	10μF,10V
C7646		NBE21AM-335X	T CAPACITOR	3.3μF,10V
C7647		NBP21DM-335X	T CAPACITOR	3.3μF,20V
C7648		NCF31CZ-104X	CAPACITOR,B,C	0.1μF,16V
C7649		NCF31CZ-104X	CAPACITOR,B,C	0.1μF,16V
C7650		NBP41EM-475X	T CAPACITOR	4.7μF,25V
C7654		NBP41EM-475X	T CAPACITOR	4.7μF,25V
C7655		NCB31CK-104X	CAPACITOR,B,C	0.1μF,16V
C7656		NCF31AZ-105X	CAPACITOR	1μF,10V
C7660		NCB31EK-103X	CAPACITOR,B,C	0.01μF,25V
C7661		NCB31EK-103X	CAPACITOR,B,C	0.01μF,25V
C7665		NCB21AK-225X	CAPACITOR,B,C	2.2μF,10V
C7666		NBE21AM-106X	T CAPACITOR,B,C	10μF,10V
C7667		NDC31HJ-180X	CAPACITOR	18pF,50V
L7101		NQL315K-100X	COIL,A	10μH
L7102		NQL315K-100X	COIL,A	10μH
L7103		NQL315K-100X	COIL,A	10μH
L7603		NQL314K-220X	COIL	22μH
L7604		NQL315K-100X	COIL	10μH
L7605		NQL315K-100X	COIL	10μH
L7608		NQL315K-100X	COIL,B,C	10μH
L7610		NQL315K-100X	COIL	10μH
L7611		NQL315K-100X	COIL,A	10μH
SW1		NSW0092-001X	SLIDE SWITCH	
SW2		NSW0008-001X	TACT SWITCH	
SW3		NSW0008-001X	TACT SWITCH	
SW4		NSW0008-001X	TACT SWITCH	
SW5		NSW0008-001X	TACT SWITCH	
SW6		NSW0099-001X	SLIDE SWITCH,C	
SW7601		NSW0105-001X	DETECT SWITCH	
CN7601		QGF0506F2-32X	FPC CONNECTOR	

#	△ REF No.	PART No.	PART NAME, DESCRIPTION	
CN7602		QGF0503C1-20X	FFC/FPC CONNECTOR,A	
CN7603		QGF0503C1-20X	FFC/FPC CONNECTOR,B,C	
CN7604		QGF0305F1-33X	FPC CONNECTOR	
CN7605		QGA1201F2-02X	CONNECTOR	
OT1		LY30029-051A	SPACER(A)	

LCD BL BOARD ASSEMBLY <03>				
PW2		YB10280A2-01	LCD BL BOARD ASSY,B	
		YB10280B2-01	LCD BL BOARD ASSY,C	
		YB10280C2-01	LCD BL BOARD ASSY,A	
IC751		MIP805	IC,B,C	
Q7501		2SC3647/ST/-X	POW TRANSISTOR	
Q7502		2SC3647/ST/-X	POW TRANSISTOR	
Q7503		DTA144EE	TRANSISTOR	
Q7504		2SC4617/QR/-X	TRANSISTOR	
Q7505		2SC4617/QR/-X	TRANSISTOR	
Q7506		2SC4617/QR/-X	TRANSISTOR	
D751		1SS376	DIODE,B,C	
R751		NRSA63J-104X	MG RESISTOR,B,C	100kΩ,1/16W
R7501		NRSA63J-102X	MG RESISTOR	1kΩ,1/16W
R7502		NRSA63J-102X	MG RESISTOR	1kΩ,1/16W
R7503		NRSA63J-102X	MG RESISTOR	1kΩ,1/16W
R7504		NRSA63J-563X	MG RESISTOR	56kΩ,1/16W
R7505		NRSA63J-223X	MG RESISTOR	22kΩ,1/16W
R7506		NRSA63J-473X	MG RESISTOR	47kΩ,1/16W
R7507		NRSA63J-473X	MG RESISTOR	47kΩ,1/16W
R7508		NRSA63J-223X	MG RESISTOR	22kΩ,1/16W
R7509		NRSA63J-103X	MG RESISTOR	10kΩ,1/16W
R7510		NRSA63J-563X	MG RESISTOR	56kΩ,1/16W
C751		NBE20JM-106X	T CAPACITOR,B,C	10μF,6.3V
C752		NBE20JM-106X	T CAPACITOR,B,C	10μF,6.3V
C753		NCB31HK-222X	CAPACITOR,B,C	0.0022μF,50V
C754		NCB31HK-222X	CAPACITOR,B,C	0.0022μF,50V
C7501		NCZ1016-150X	CAPACITOR,A,B	15pF,2kV
		NCZ1016-180X	CAPACITOR,C	18pF,2kV
C7502		NCZ1016-150X	CAPACITOR,A	15pF,2kV
		NCZ1016-180X	CAPACITOR,B,C	18pF,2kV
C7503		NFV41HJ-273X	MPPS CAPACITOR	0.027μF,50V
C7504		NCB31EK-103X	CAPACITOR	0.01μF,25V
C7505		NBE40JM-226X	T CAPACITOR	22μF,6.3V
C7506		NCB31EK-103X	CAPACITOR	0.01μF,25V
C7507		NDC31HJ-151X	CAPACITOR	150pF,50V
C7508		NCB11CK-105X	CAPACITOR	1μF,16V
C7509		NCB31CK-104X	CAPACITOR	0.1μF,16V
C7510		NCB31HK-562X	CAPACITOR	0.0056μF,50V
L751		NQLZ011-681X	COIL,B,C	680μH
L752		NQL315K-100X	COIL,B,C	10μH
L7501		NQLZ010-680X	COIL	68μH
L7502		NQLZ010-220X	COIL	22μH
T7501		NQS0037-001X	SW TRANSF	
CN7501		QGF0506F2-32X	FPC CONNECTOR	
CN7502		QGF0505F1-24X	FPC CONNECTOR	
CN7503		QGA5002F1-02X	CONNECTOR	
CN7504		QGF0505F2-06X	FPC CONNECTOR,B,C	
△ F751		NMFZ006-R20X-K	FUSE,B,C	T0.2A
OT1		LY41726-001A	PLATE(EARTH)	

#	△ REF No.	PART No.	PART NAME, DESCRIPTION

DSC BOARD ASSEMBLY (800ED) <10>			
PW		YB20879B-01	DSC BOARD ASSY
IC8001		JCY0076B	IC
IC8002		M32000D3FP	IC
		or M32000D4AFP	IC(MICRO C ROM)
IC8003		TC58FVT16FT0/6T	IC(MICRO C ROM)
IC8004		S-814A31AMC-W	IC
IC8007		TC7WHU04FU	IC
		or SN74AHC2GU04T	IC
IC8008		TC7W08FU	IC(DIGITAL)
IC8009		TC7W08FU	IC(DIGITAL)
Q8001		2SB1121/TU/-X	TRANSISTOR
Q8002		2SC4081/QR/-X	TRANSISTOR
R8001		NRSA63J-101X	MG RESISTOR 100Ω,1/16W
R8002		NRSA63J-101X	MG RESISTOR 100Ω,1/16W
R8003		NRSA63J-101X	MG RESISTOR 100Ω,1/16W
R8004		NRSA63J-104X	MG RESISTOR 100kΩ,1/16W
R8005		NRSA63J-104X	MG RESISTOR 100kΩ,1/16W
R8006		NRSA63J-102X	MG RESISTOR 1kΩ,1/16W
R8007		NRSA63J-0R0X	MG RESISTOR 0Ω,1/16W
R8013		NRSA63J-821X	MG RESISTOR 820Ω,1/16W
R8014		NRSA63J-560X	MG RESISTOR 56Ω,1/16W
R8015		NRSA63J-560X	MG RESISTOR 56Ω,1/16W
R8016		NRSA63J-560X	MG RESISTOR 56Ω,1/16W
R8017		NRSA63J-560X	MG RESISTOR 56Ω,1/16W
R8018		NRSA63J-560X	MG RESISTOR 56Ω,1/16W
R8019		NRSA63J-560X	MG RESISTOR 56Ω,1/16W
R8020		NRSA63J-560X	MG RESISTOR 56Ω,1/16W
R8021		NRSA63J-560X	MG RESISTOR 56Ω,1/16W
R8022		NRSA63J-560X	MG RESISTOR 56Ω,1/16W
R8023		NRSA63J-560X	MG RESISTOR 56Ω,1/16W
R8024		NRSA63J-560X	MG RESISTOR 56Ω,1/16W
R8025		NRSA63J-560X	MG RESISTOR 56Ω,1/16W
R8026		NRSA63J-0R0X	MG RESISTOR 0Ω,1/16W
R8027		NRSA02J-105X	MG RESISTOR 1MΩ,1/10W
R8030		NRSA63J-0R0X	MG RESISTOR 0Ω,1/16W
R8031		NRSA63J-223X	MG RESISTOR 22kΩ,1/16W
R8032		NRSA63J-222X	MG RESISTOR 2.2kΩ,1/16W
R8033		NRSA63J-822X	MG RESISTOR 8.2kΩ,1/16W
R8034		NRSA63J-472X	MG RESISTOR 4.7kΩ,1/16W
R8035		NRSA63J-331X	MG RESISTOR 330Ω,1/16W
C8001		NCB31CK-104X	CAPACITOR 0.1μF,16V
C8002		NBE20JM-106X	T CAPACITOR 10μF,6.3V
C8003		NCB31CK-104X	CAPACITOR 0.1μF,16V
C8005		NCB31CK-104X	CAPACITOR 0.1μF,16V
C8006		NCB31CK-104X	CAPACITOR 0.1μF,16V
C8007		NCB31CK-104X	CAPACITOR 0.1μF,16V
C8008		NCB31CK-104X	CAPACITOR 0.1μF,16V
C8009		NCB31CK-104X	CAPACITOR 0.1μF,16V
C8010		NCB31CK-104X	CAPACITOR 0.1μF,16V
C8011		NCB31CK-104X	CAPACITOR 0.1μF,16V
C8012		NCB31CK-104X	CAPACITOR 0.1μF,16V
C8013		NCB31CK-104X	CAPACITOR 0.1μF,16V
C8014		NBE50JM-107X	T CAPACITOR 100μF,6.3V
C8015		NCB31CK-104X	CAPACITOR 0.1μF,16V
C8016		NCB31CK-104X	CAPACITOR 0.1μF,16V
C8017		NCB31HK-102X	CAPACITOR 0.001μF,50V
C8018		NCB31CK-104X	CAPACITOR 0.1μF,16V
C8019		NCB31CK-104X	CAPACITOR 0.1μF,16V

#	△ REF No.	PART No.	PART NAME, DESCRIPTION
C8020		NCB31CK-104X	CAPACITOR 0.1μF,16V
C8021		NCB31CK-104X	CAPACITOR 0.1μF,16V
C8022		NCB31CK-104X	CAPACITOR 0.1μF,16V
C8023		NCB31CK-104X	CAPACITOR 0.1μF,16V
C8024		NCB31CK-104X	CAPACITOR 0.1μF,16V
C8025		NBE50JM-107X	T CAPACITOR 100μF,6.3V
C8026		NCB31CK-104X	CAPACITOR 0.1μF,16V
C8030		NDC31HJ-150X	CAPACITOR 15pF,50V
C8039		NCB31CK-104X	CAPACITOR 0.1μF,16V
C8040		NDC31HJ-270X	CAPACITOR 27pF,50V
C8041		NBE20JM-106X	T CAPACITOR 10μF,6.3V
C8042		NBE20JM-106X	T CAPACITOR 10μF,6.3V
C8043		NBE20JM-106X	T CAPACITOR 10μF,6.3V
C8044		NBE20JM-106X	T CAPACITOR 10μF,6.3V
C8045		NBE40JM-106X	T CAPACITOR 10μF,6.3V
C8046		NBE41AM-106X	T CAPACITOR 10μF,10V
C8047		NCB31CK-104X	CAPACITOR 0.1μF,16V
C8048		NCB31EK-103X	CAPACITOR 0.01μF,25V
L8001		NQL024J-100X	COIL 10μH
L8002		NQL034K-150X	COIL 15μH
L8003		NQL024J-100X	COIL 10μH
X8001		NAX0354-001X	RESONATOR
CN801		QGB0509L3-30X	CONNECTOR